

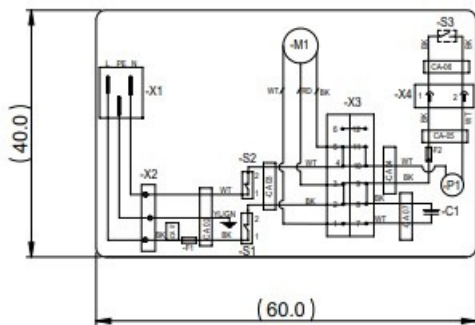
03. TS050-W13-U

TABLE OF CONTENTS

Vortex 13 Wiring Diagram	3
27 Jan 2023 Vortex 13 Chassis	5
27 Jan 2023 Vortex 13 Main Assembly	7
27 Jan 2023 Vortex 13 Pump Housing	9
26 Jan 2023 Vortex Idle Side Housing Base	11
26 Jan 2023 Vortex Drive Side Housing Base	13
26 Jan 2023 Vortex 13 Drive and Motor Assembly	16
26 Jan 2023 Vortex 13 Idle Side Housing Chassis	19
25 Jan 2023 Vortex 13 Side Covers	22
24 Jan 2023 Vortex 13 Handle Assembly 2	24
24 Jan 2023 Vortex 13 Handle Assembly 1	26
23 Jan 2023 Vortex 13 Tank Assembly	28
2 Mar 2023 Vortex 13 Side Brush	30
20 Jan 2023 Vortex 13 Base Assembly	32

Vortex 13 Wiring Diagram


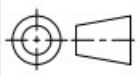
THIS DRAWING IS THE PROPERTY OF ROOTS MULTICLEAN LIMITED
SHOULD NOT BE COPIED OR COMMUNICATED TO ANYBODY
WITHOUT THE WRITTEN APPROVAL OF PROPRIETORS



NOTE:

1. BACKGROUND - WHITE
2. SYMBOLS - BLACK
3. LABEL SHOULD BE RESISTANT TO OIL, GREASE ETC.
4. CUT EDGES SHALL BE FREE FROM ANY PRINTED LINE
5. PRINTING SHALL BE DONE ON BACK SIDE
6. SELF ADHESIVE WITH SPLIT RELEASE PAPER

ALL DIMENSIONS IN mm
DO NOT SCALE THE DRAWING

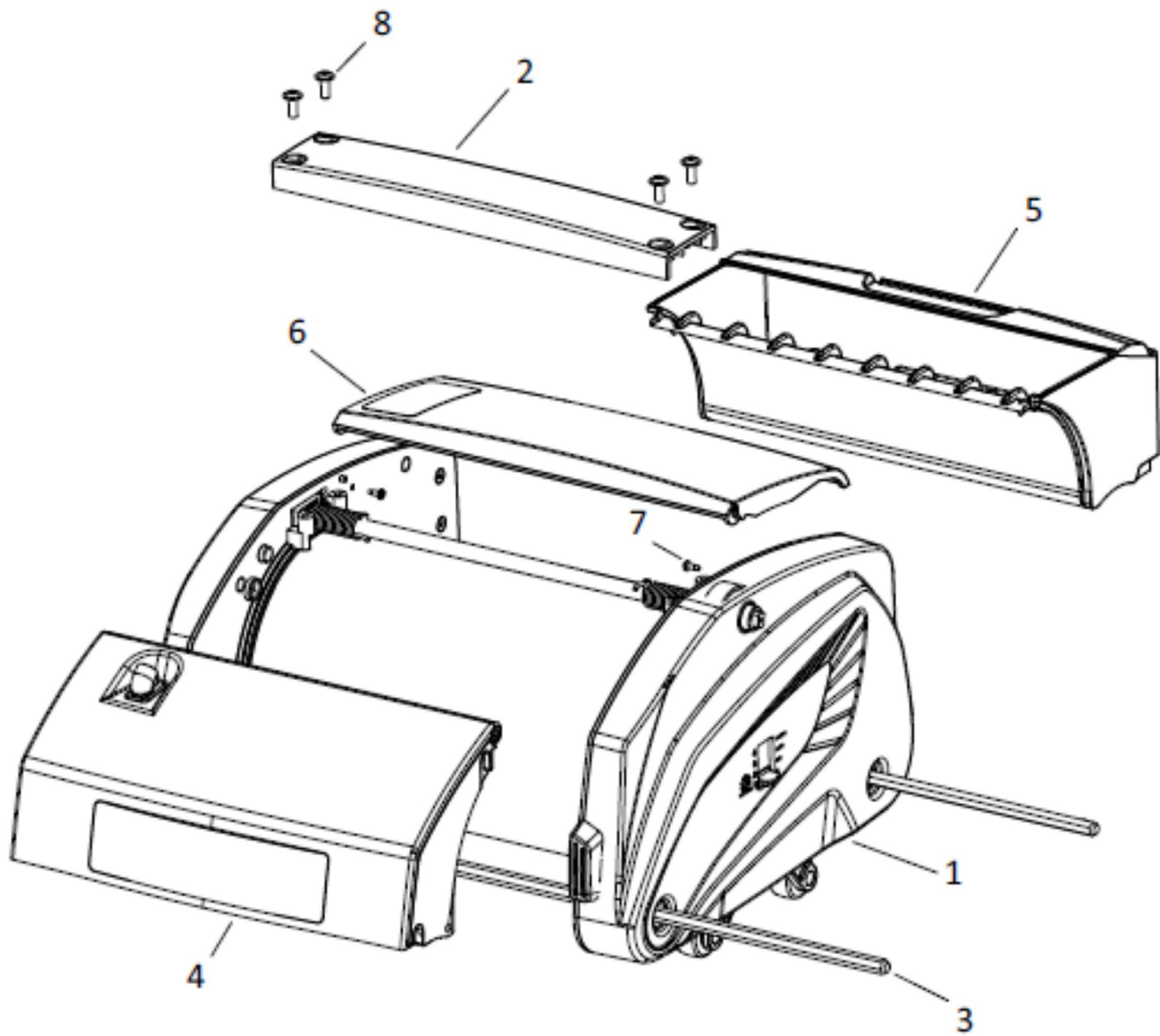
				TOLERANCE UNLESS SPECIFIED					
				LINEAR DIM :					
				0.5	3.0	6.0	30	120	315
				TO	TO	TO	TO	TO	TO
				3.0	6.0	30	120	315	1000
				±0.1	±0.1	±0.2	±0.3	±0.5	±0.8
				ANGULAR DIM : ± 0.5°					
				MODEL (FIRST USED)					
				NEW WIZZARD					
				DEVELOPMENT COPY					
SCALE		TITLE		PART NO		REV			
1:1		 ROOTS MULTICLEAN LIMITED COIMBATORE - INDIA		557253054		A			
WEIGHT IN g								1/1	
				LABEL ELECTRICAL					
		DIAGRAM-110V							

Rendered by ART Network Services, Inc.

Vortex 13 Wiring Diagram

Ref Number	Part Number	Part Description	Context Notes	Quantity
-------------------	--------------------	-------------------------	----------------------	-----------------

27 Jan 2023 Vortex 13 Chassis

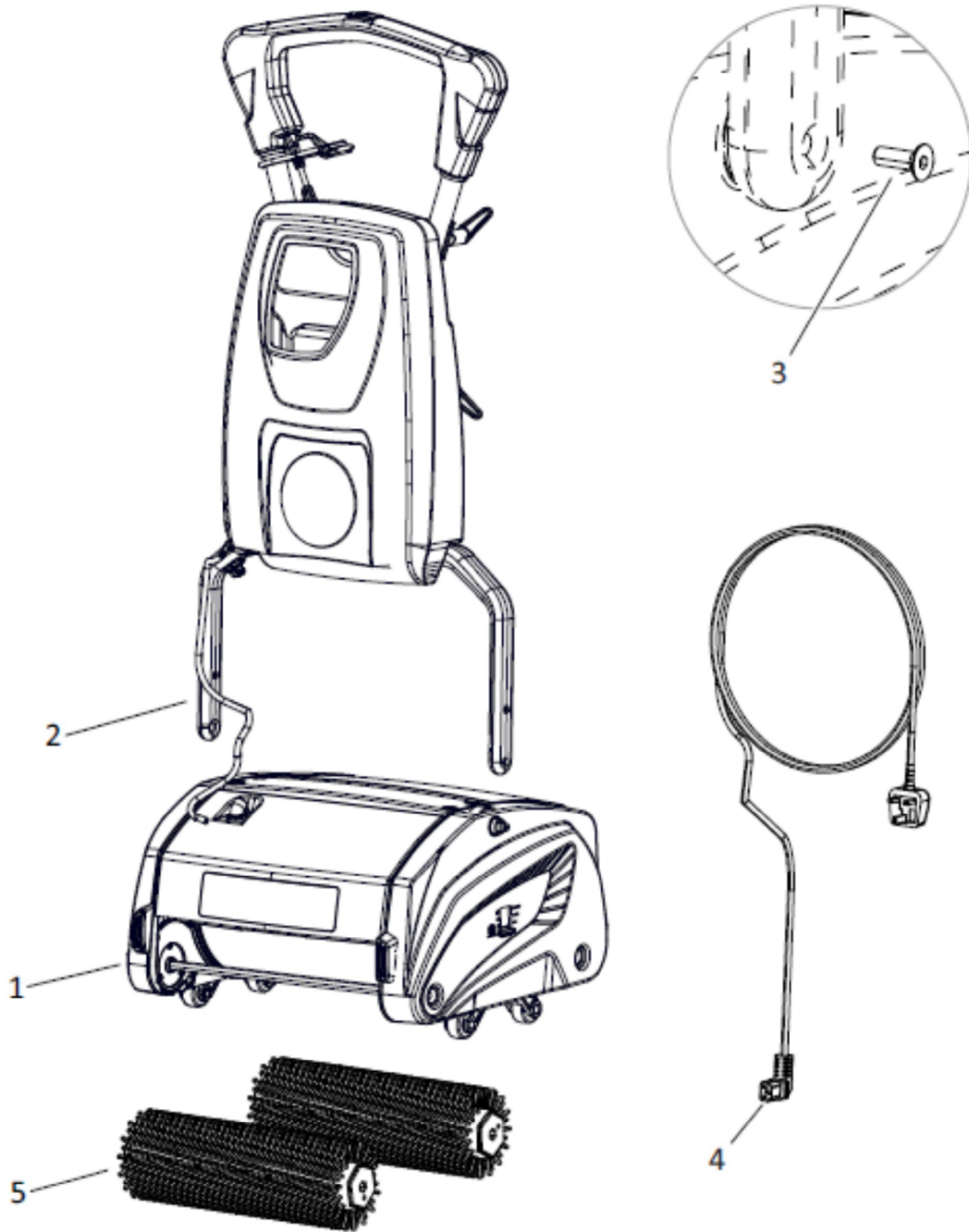


Rendered by ARI Network Services, Inc.

27 Jan 2023 Vortex 13 Chassis

Ref Number	Part Number	Part Description	Context Notes	Quantity
1	55-8253-112	Base Assembly		1
2	55-8253-116	Bridge Housing Assembly		1
3	55-8253-027	Brush Shaft		2
4	55-8253-117	Pump Housing Assembly		1
5	55-8253-025	Complete Collection Tank Assembly		1
6	55-8253-106	Collection Tank Lid Assembly		1
7	55-3250-109	Screw M3.5 x 9.5		2
8	55-2850-926	Screw M6 x 16		4

27 Jan 2023 Vortex 13 Main Assembly

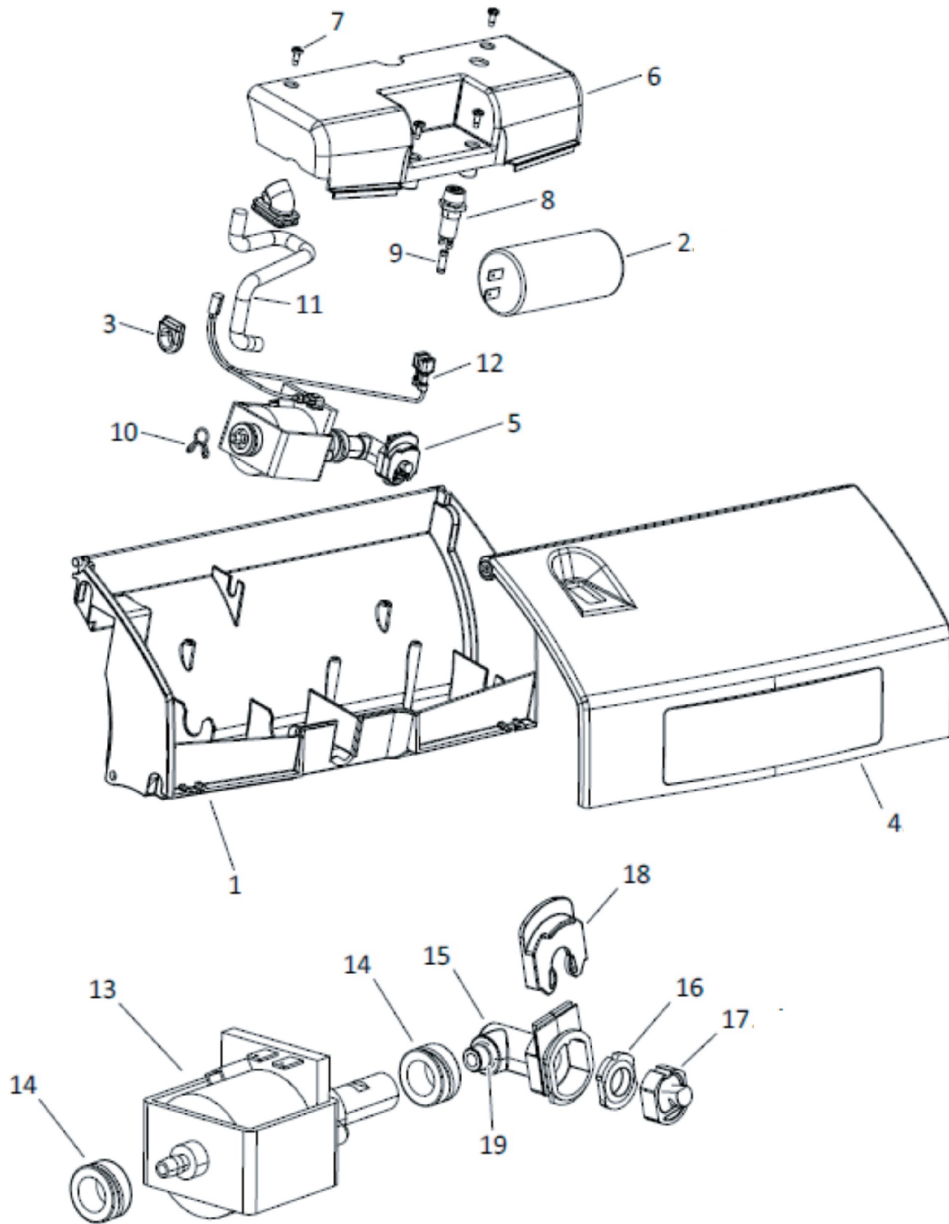


Rendered by ARI Network Services, Inc.

27 Jan 2023 Vortex 13 Main Assembly

Ref Number	Part Number	Part Description	Context Notes	Quantity
1	55-8253-111	Chassis Assembly		1
2	55-8253-225	Complete Handle Assembly		1
3	55-2220-016	Screw M4 x 12		2
4	33883	Power Cord 16/3 40'		1
5.a	93120.1	Standard Brush Vortex 13 (pair)		1
5.b	93121.1	Soft/Carpet Brush Vortex 13 (Pair)		1
5.c	93122.1	Hard Brush Vortex 13 (Pair)		1
5.d	93123.1	Escalator Brush Vortex 13 (Pair)		1
	05-4781-0000	Transport Cart		1

27 Jan 2023 Vortex 13 Pump Housing

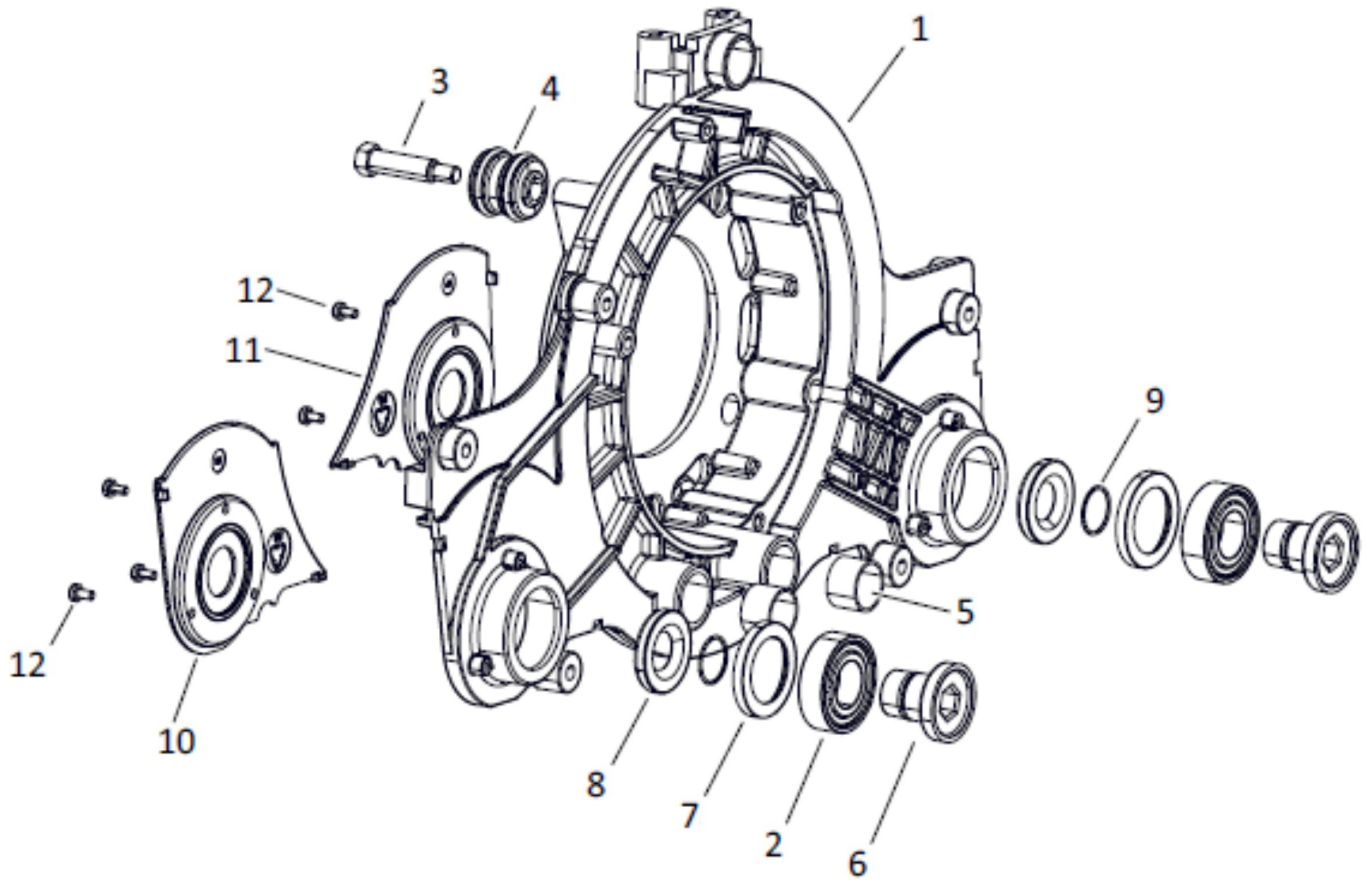


Rendered by ARI Network Services, Inc.

27 Jan 2023 Vortex 13 Pump Housing

Ref Number	Part Number	Part Description	Context Notes	Quantity
1	55-3253-020	Pump Housing		1
2	55-2530-003	Capacitor 60 MFD		1
3	55-3253-056	Grommet		1
4	55-8253-118	Pump Housing Cover w/Label		1
5	55-8253-119	Pump Assembly		1
6	55-3253-022	Inner Cover		1
7	55-3250-104	Screw M3.5 x 9.5		4
8	55-3320-339	Fuse Holder		1
9	55-3310-199	Fuse 0.5A		1
10	55-3253-148	Hose Clip		1
11	55-3253-166	Hose		1
12	55-8253-217	Cable Assembly (X4 to F2,P1)		1
13	55-3250-256	Pump		1
14	55-3253-054	Pump Spacer		2
15	55-3253-058	Adaptor Nozzle		1
16	55-3250-293	Nozzle Seal		1
17	55-3253-059	Nozzle Base		1
18	55-3253-060	Nozzle lock		1
19	55-3250-322	O-Ring		1

26 Jan 2023 Vortex Idle Side Housing Base

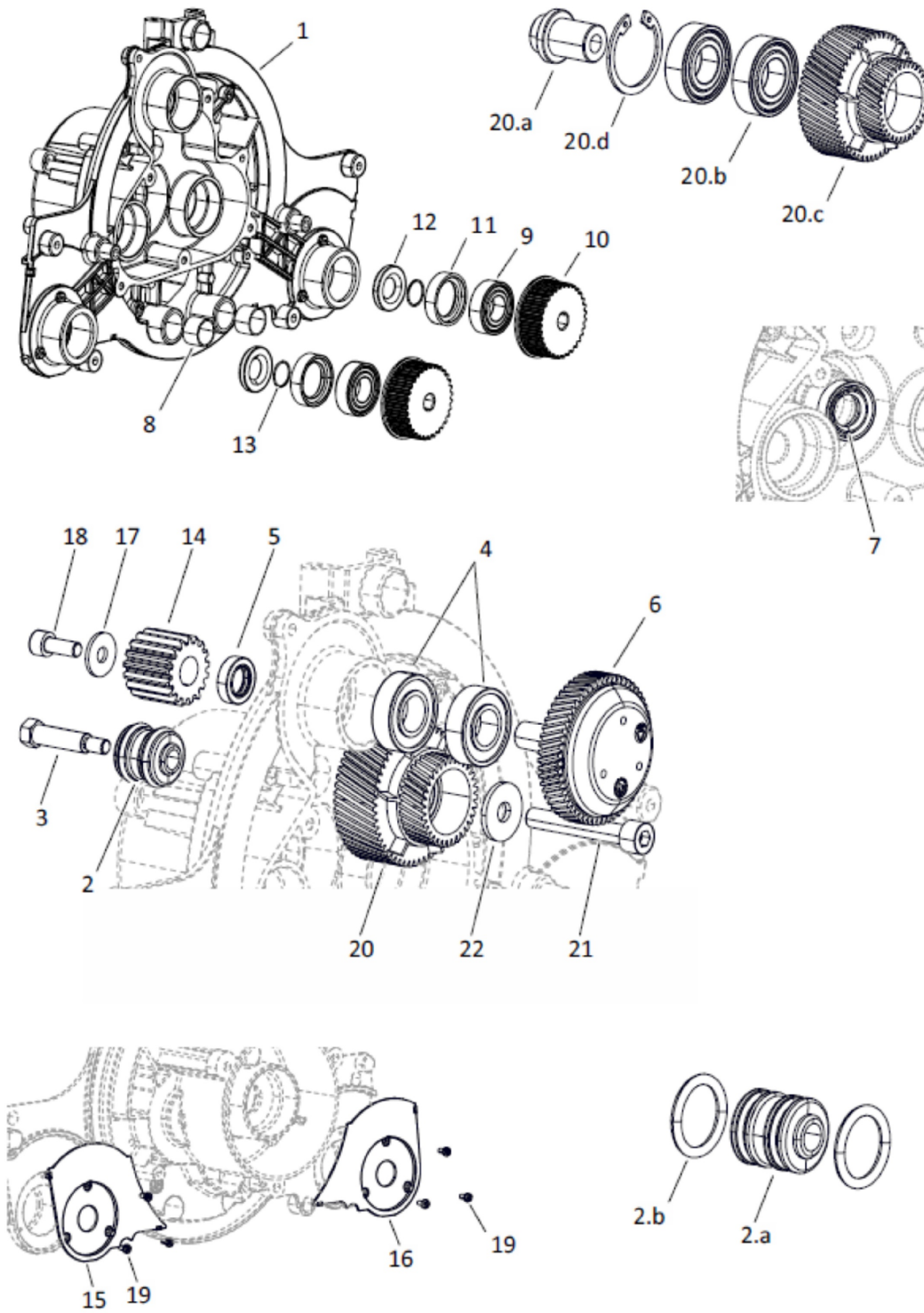


Rendered by ARI Network Services, Inc.

26 Jan 2023 Vortex Idle Side Housing Base

Ref Number	Part Number	Part Description	Context Notes	Quantity
1	55-3253-002	Idle Side Housing Base		1
2	55-2610-011	Bearing 6003 2Rs		2
3	553253103	Drum Wheel Stud		4
4	55-8253-008	Drum Wheel Assembly		4
5	55-3250-149	Housing Sleeve		2
6	55-3253-031	Brush Shaft Bushing		2
7	55-3253-035	Bearing Spacer		2
8	55-3250-043	Seal		2
9	55-3360-240	Spring Clip		2
10	55-3253-038	Rear Idle Bearing Cap		1
11	55-3253-039	Front Idle Bearing Cap		1
12	55-2140-002	Screw M3 x 6		6

26 Jan 2023 Vortex Drive Side Housing Base



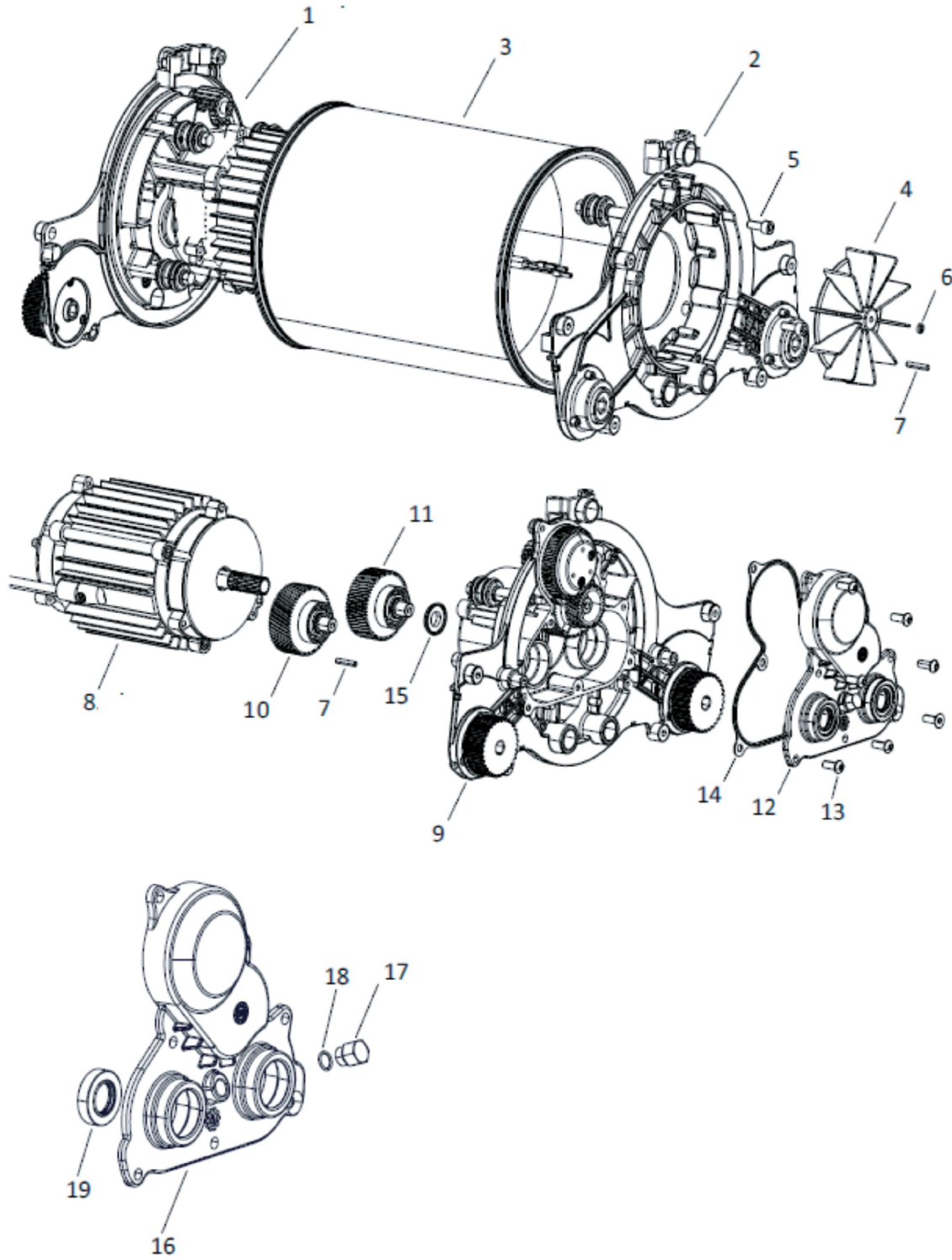
Rendered by ARI Network Services, Inc.

26 Jan 2023 Vortex Drive Side Housing Base

Ref Number	Part Number	Part Description	Context Notes	Quantity
1	55-3253-001	Drive Side Housing Base		1
2	55-8253-008	Drum Wheel Assembly		4
2.a	55-3253-030	Drum Wheel		4
2.b	55-3250-085	Wheel Ring		8
3	55-3253-103	Drum Wheel Stud		4
4	55-2610-009	Bearing 6002 2 RS		2
5	55-2670-196	Oil Seal		1
6	55-3253-028	Drum Gear		1
7	55-2670-195	Oil Seal		1
8	55-3250-149	Housing Sleeve		2
9	55-2610-011	Bearing 6003 2Rs		2
10	55-3253-006	Brush Drive Sprocket		2
11	55-3253-034	Bearing Spacer		2
12	55-3250-043	Seal		2
13	55-3360-240	Spring Clip		2
14	55-3253-100	Drum Pinion		1
15	55-3253-037	Rear Drive Bearing Cap		1
16	55-3253-036	Front Drive Bearing Cap		1
17	55-2360-022	Washer		1
18	55-2240-013	Screw M6 x 15		1
19	55-2140-002	Screw M3 x 6		6
20	55-8253-011	Double Gear Assembly		1
20.a	55-3253-101	Double Gear Shaft		1
20.b	55-2610-011	Bearing 6003 2Rs		2
20.c	55-3253-027	Double Gear		1
20.d	55-2670-114	Circlip		1

Ref Number	Part Number	Part Description	Context Notes	Quantity
21	55-2850-608	Screw M8 x 50		1
22	55-2360-015	Washer		1

26 Jan 2023 Vortex 13 Drive and Motor Assembly



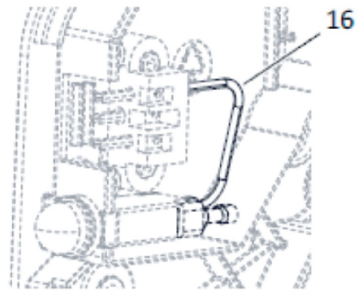
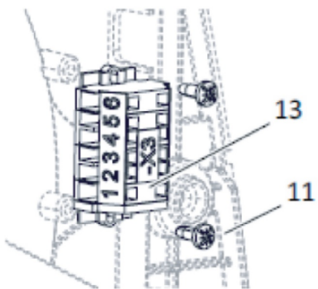
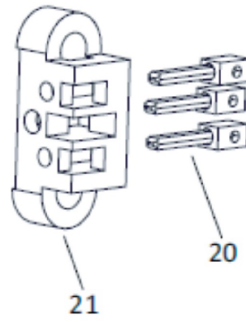
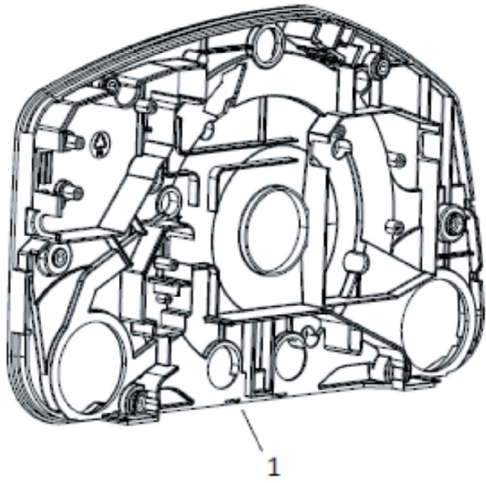
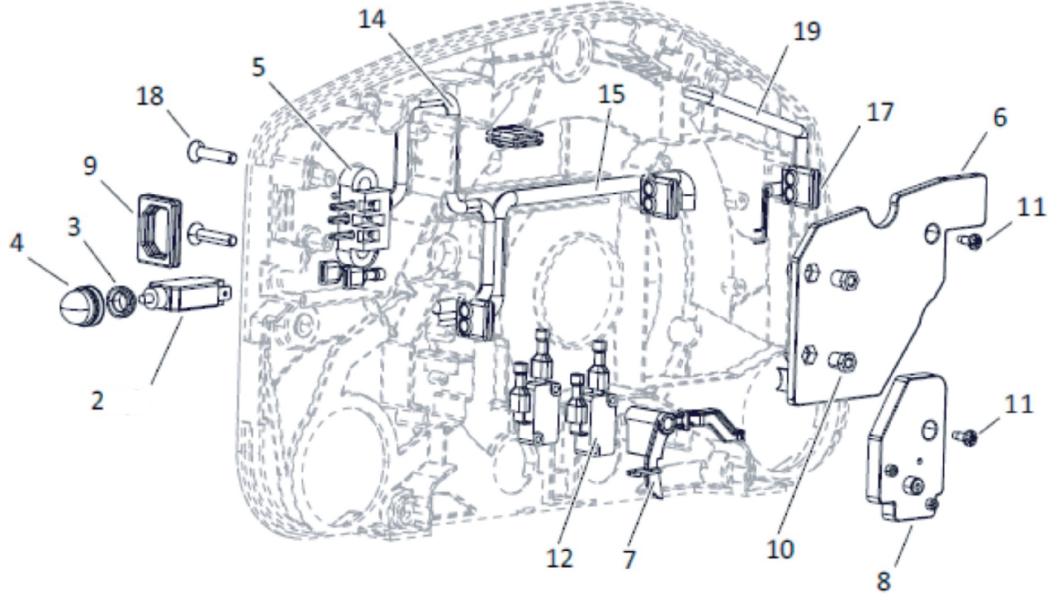
Rendered by ARI Network Services, Inc.

26 Jan 2023 Vortex 13 Drive and Motor Assembly

Ref Number	Part Number	Part Description	Context Notes	Quantity
1	55-8253-113	Complete Motor Assembly		1
2	55-8253-006	Idle Side Base Housing Assembly		1
3	55-8253-013	Complete Drum Assembly		1
4	55-3253-029	Motor Fan		1
5	55-2240-013	Screw M6 x 15		3
6	55-2520-002	Spring Washer		1
7	55-2420-016	Dowel Pin		2
8	55-8253-114	Motor Assembly		1
9	55-8253-005	Drive Side Base Housing Assembly		1
10	55-8253-009	Gear Assembly RH		1
11	55-8253-010	Gear Assembly LH		1
12	55-8253-012	Gear Housing Cover Assembly		1
13	55-2870-129	Button Head Screw M6 x 15		7
14	55-3253-052	Housing Gasket		1
15	55-3253-190	Diverter		1
16	55-3253-003	Gear Housing Cover		1
17	55-3253-102	Drain Nut		1
18	55-3250-322	O-Ring		1

Ref Number	Part Number	Part Description	Context Notes	Quantity
19	55-2670-197	Oil Seal		2

26 Jan 2023 Vortex 13 Idle Side Housing Chassis



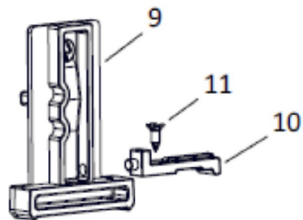
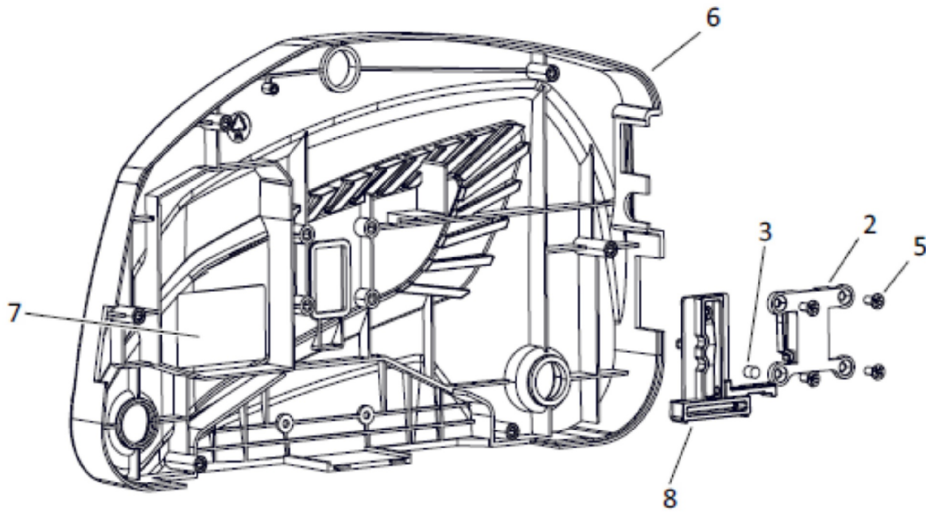
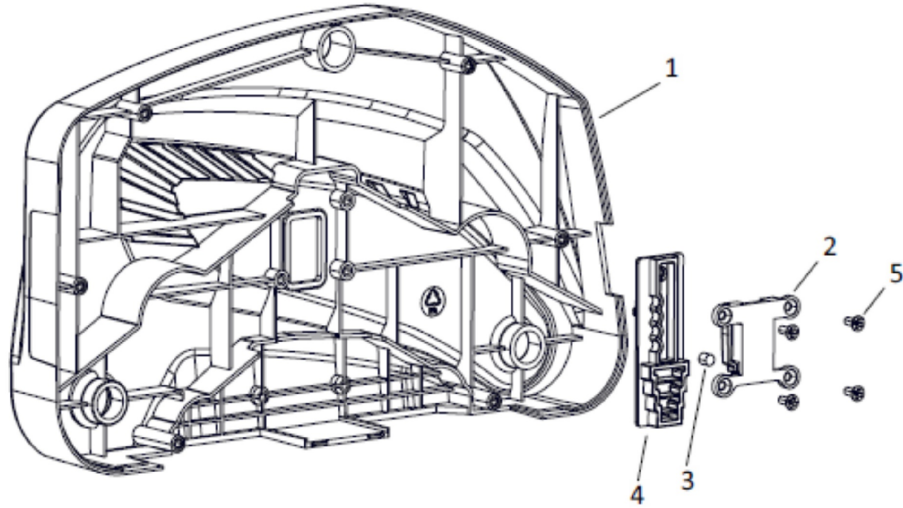
Rendered by ARI Network Services, Inc.

26 Jan 2023 Vortex 13 Idle Side Housing Chassis

Ref Number	Part Number	Part Description	Context Notes	Quantity
1	55-3253-011	Idle Side Housing		1
2	55-3250-151	Circuit Breaker 10A		1
3	55-3250-110	Circuit Breaker Nut		1
4	55-3253-061	Circuit Breaker Cap		1
5	55-8250-024	Socket Assembly		1
6	55-3253-042	Connector Cover		1
7	55-3253-182	Switch Actuation Lever		1
8	55-3253-043	Switch Cover		1
9	55-3253-053	Connector Seal		1
10	55-3250-168	Nut		2
11	55-3250-104	Screw M3.5 x 9.5		4
12	55-2530-009	Limit Switch		2
13	55-8253-158	Terminal Block		1
14	55-8253-214	Cable Assembly (X2,F1 to S1,S2)		1
15	55-8253-215	Cable Assembly (S1,S2 to X3)		1
16	55-8253-213	Cable Assembly (X2 to F1)		1
17	55-3253-057	Grommet		2
18	55-2220-005	Screw M5 x 25		2

Ref Number	Part Number	Part Description	Context Notes	Quantity
19	55-8253-219	Cable Assembly (X3 to C1)		1
20	55-3250-302	Socket Terminal		3
21	55-3250-362	Socket		1
Not Shown	55-8253-216	Cable Assembly (X3 to F2,P1)		1

25 Jan 2023 Vortex 13 Side Covers

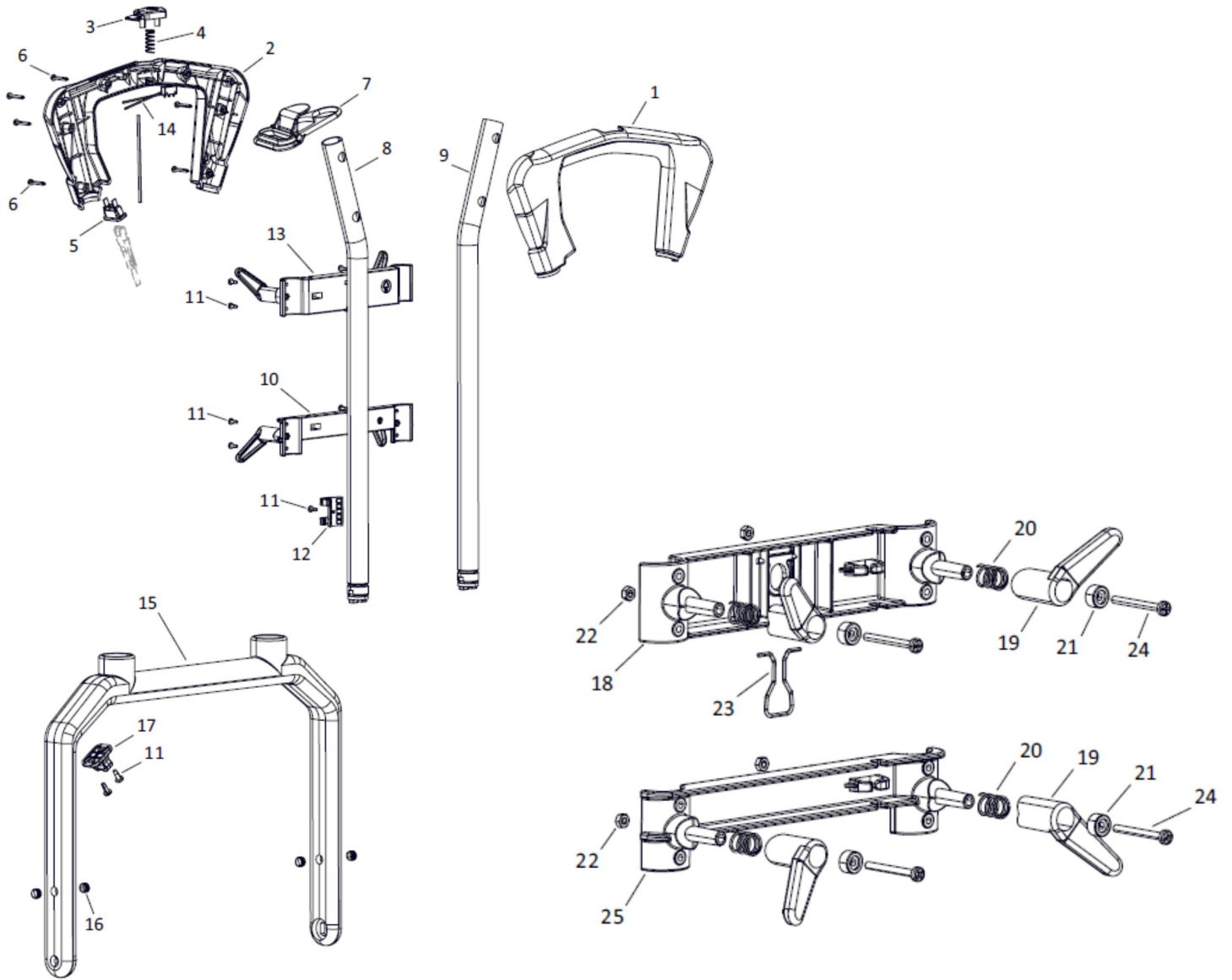


Rendered by ARI Network Services, Inc.

25 Jan 2023 Vortex 13 Side Covers

Ref Number	Part Number	Part Description	Context Notes	Quantity
1	55-3253-012	Drive Side Cover		1
2	55-3250-039	Slider Housing		2
3	55-3250-078	Slider Pin		2
4	55-3253-013	Brush Pressuer Slider		1
5	55-2110-003	Screw M4 x 10		8
6	55-3253-014	Idle Side Cover		1
7	55-7253-006	Electrical Diagram Label		1
8	55-8253-212	Transport Slider Assembly		1
9	55-3253-015	Transport Slider		1
10	55-3253-183	Transport Slider Guide		1
11	55-2310-003	Screw M3 x 9.5		1

24 Jan 2023 Vortex 13 Handle Assembly 2

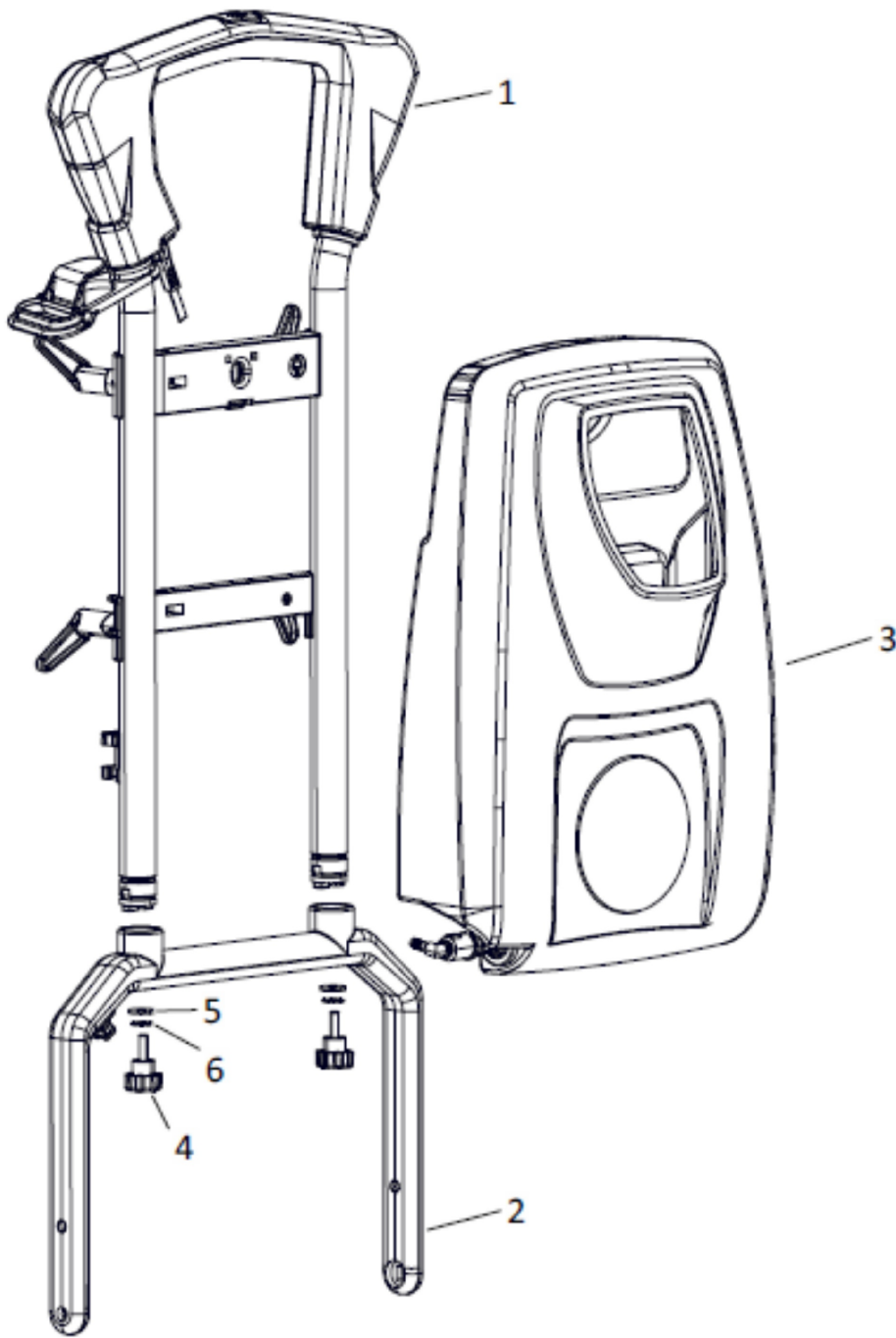


Rendered by ARI Network Services, Inc.

24 Jan 2023 Vortex 13 Handle Assembly 2

Ref Number	Part Number	Part Description	Context Notes	Quantity
1	55-3253-070	Top Handle Front		1
2	55-3253-071	Top Handle Rear		1
3	55-3253-072	Pump Button		1
4	55-3253-130	Pump Button Spring		1
5	55-3250-495	Connector		1
6	55-2280-010	Screw M3.5 x 25		8
7	55-3320-198	Cable Retainer		1
8	55-8253-043	Handle Pipe Assembly RH		1
9	55-8253-042	Handle Pipe Assembly LH		1
10	55-8253-045	Bottom Cable Holder		1
11	55-3250-104	Screw M3.5 x 9.5		12
12	55-3253-077	Cable Guide		1
13	55-8253-044	Top Cable Holder Assembly		1
14	55-8253-218	Switch w/Wire		1
15	55-3253-023	Bottom Handle		1
16	55-3253-066	Bottom Handle Plug		4
17	55-3253-063	Cable Guide		1
18	55-3253-073	Top Cable Holder		1
19	55-3253-082	Cable Holder Knob		4
20	55-3250-090	Cable Holder Spring		4
21	55-3250-091	Washer		4
22	55-2180-003	Nut		4
23	55-3253-116	Tank Lock Spring		1
24	55-2140-033	Screw M4 x 40		4
25	55-3253-074	Bottom Cable Holder Assembly		1

24 Jan 2023 Vortex 13 Handle Assembly 1

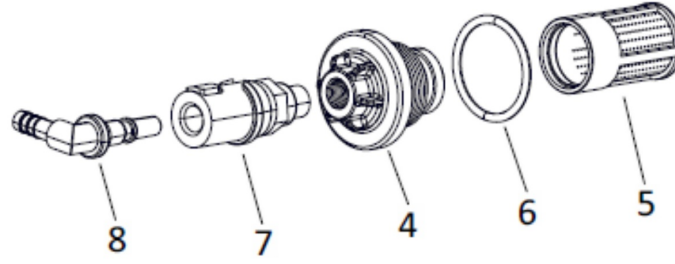
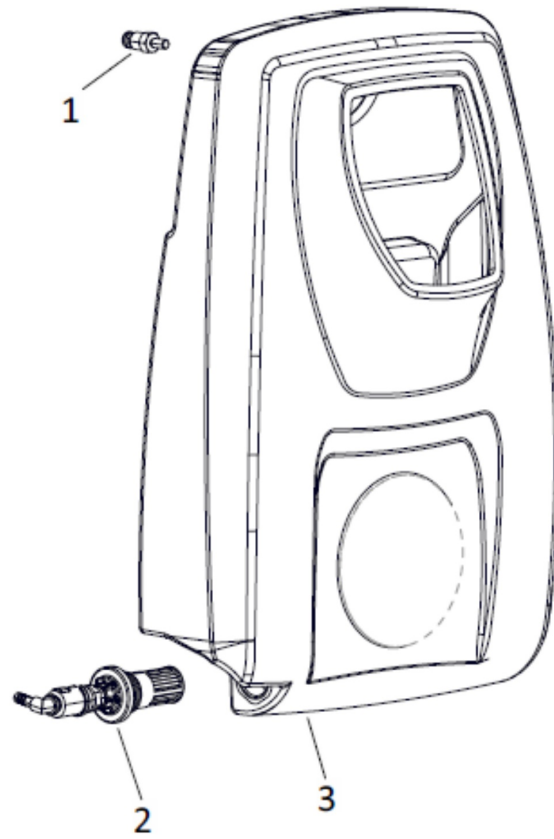


Rendered by ARI Network Services, Inc.

24 Jan 2023 Vortex 13 Handle Assembly 1

Ref Number	Part Number	Part Description	Context Notes	Quantity
1	55-8253-227	Top Handle Assembly		1
2	55-8253-221	Bottom Handle Assembly		1
3	55-8253-046	Tank Assembly		1
4	55-3253-078	Knob		2
5	55-2350-013	Washer		2
6	55-2530-004	Toothed Washer		2

23 Jan 2023 Vortex 13 Tank Assembly

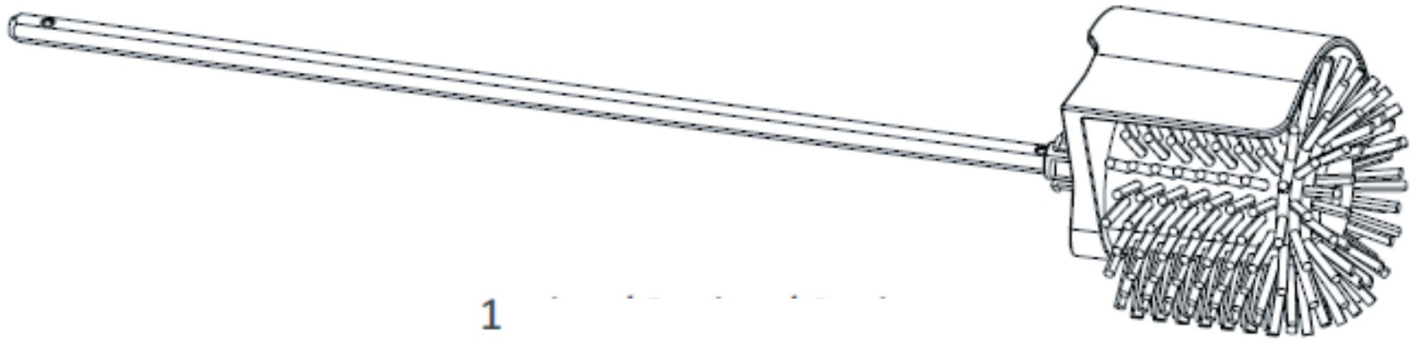


Rendered by ARI Network Services, Inc.

23 Jan 2023 Vortex 13 Tank Assembly

Ref Number	Part Number	Part Description	Context Notes	Quantity
1	55-3253-112	Tank Lock Pin		1
2	55-8253-047	Filter Assembly		1
3	55-3253-080	Tank		1
4	55-3253-075	Filter Base		1
5	55-3253-076	Filter		1
6	55-2430-022	O-Ring		1
7	55-2500-115	Quick Coupling		1
8	55-3253-067	Quick Coupling Connector		1

2 Mar 2023 Vortex 13 Side Brush

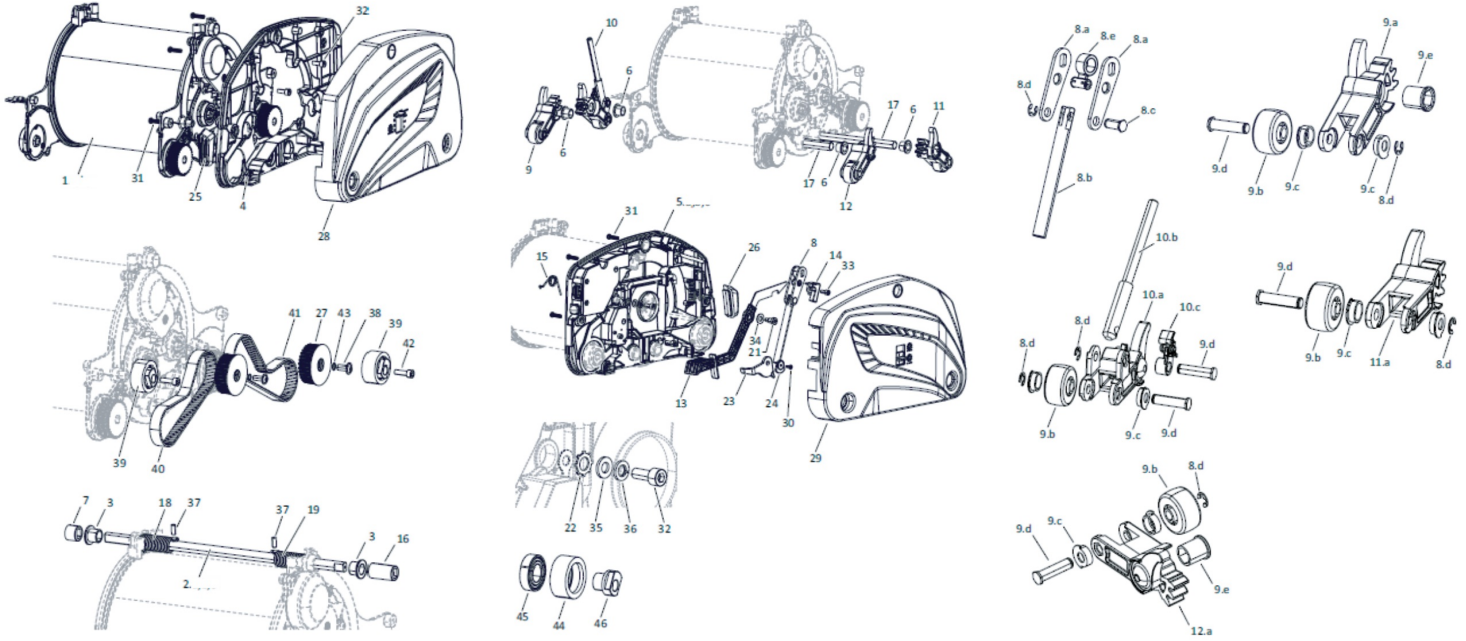


Rendered by ARI Network Services, Inc.

2 Mar 2023 Vortex 13 Side Brush

Ref Number	Part Number	Part Description	Context Notes	Quantity
1	93049	Vortex 13 Side Brush		1

20 Jan 2023 Vortex 13 Base Assembly



Rendered by ARI Network Services, Inc.

20 Jan 2023 Vortex 13 Base Assembly

Ref Number	Part Number	Part Description	Context Notes	Quantity
1	55-8253-115	Drive Assy.		1
2	55-3253-104	Handle Shaft		1
3	55-3253-062	Handle Shaft Bushing		2
4	55-3253-010	Drive Housing		1
5	55-8253-156	Idle Housing Idle Assy.		1
6	55-3250-006	Wheel Actuation Bushing		4
7	55-3253-041	Idle Side Spacer		1
8	55-8253-015	Guide Link Assy		1
8.a	55-3250-044	Lever Brush Actuation		2
8.b	55-3253-105	Guide Link		1
8.c	55-3253-106	Pin Lever		1
8.d	55-3250-112	External Circlip		6
8.e	55-3250-182	Spacer Lever		1
9	55-8253-017	Lever Idle RH Assy.		1
9.a	55-3253-009	Lever Idle RH Assy.		1
9.b	55-3253-047	Wheel		4
9.c	55-3250-042	Shield Wheel		8
9.d	55-3253-109	Pin Wheel		4
9.e	55-3253-065	Bush Lever		2
10	55-8253-016	Lever Driver With Link Assy.		1
10.a	55-3253-008	Lever Driver		1
10.b	55-32531-08	Link		1
10.c	55-8253-211	Lever Switch Assy.		1
11	55-8253-018	Lever Idle Assy. LH		1
11.a	55-3253-049	Lever Idle LH		1
12	55-8253-019	Lever Driven Assy.		1
12.a	55-3253-007	Lever Driven		1
13	55-3253-024	Pedal		1
14	55-3253-044	Stopper Lever		1

Ref Number	Part Number	Part Description	Context Notes	Quantity
15	55-3253-128	Spring Pedal		1
16	55-3253-040	Drive Side Spacer		1
17	55-3253-107	Shaft Wheel Actuation		2
18	55-3253-126	Spring Handle RH		1
19	55-3253-125	Spring Handle LH		1
21	55-3250-031	Stub Axle		1
22	55-2530-004	Toothed Washer		1
23	55-3253-149	Switch Link		1
24	55-3253-178	Top Switch Link		1
25	55-3253-032	Bumper LH		1
26	55-3253-033	Bumper RH		1
27	55-3253-262	Sprocket Gear		2
28	55-8253-021	Drive Side Cover Assy.		1
29	55-8253-223	Idler Side Cover Assy.		1
30	55-3250-104	Screw M3.5 x 9.5		1
31	55-2280-016	Plastic Screw M5 x 20		12
32	55-2240-013	Screw M6 x 15		9
33	55-2240-006	Screw M5 x 12		1
34	55-2360-013	Washer		1
35	55-2360-011	Washer		1
36	55-2520-004	Spring Washer		1
37	55-2690-002	Grub Screw M5 x 12		2
38	55-2850-926	Screw M6 x 16		2
39	55-8250-158	Plain Idler Assy.		2
40	55-3253-191	Belt 5M Htd 380		1
41	55-3520-111	Belt - 410		1
42	55-2240-033	Screw M6 x 20		2
43	55-2430-082	O- Ring		2
44	55-3250-048	Idler Sleeve		1
45	55-2610-011	Bearing 6003 2Rs		1

Ref Number	Part Number	Part Description	Context Notes	Quantity
46	55-3250-037	Idler Hub		1